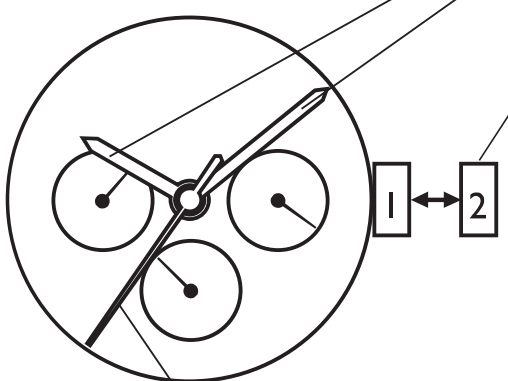


# CERRUTI 1881

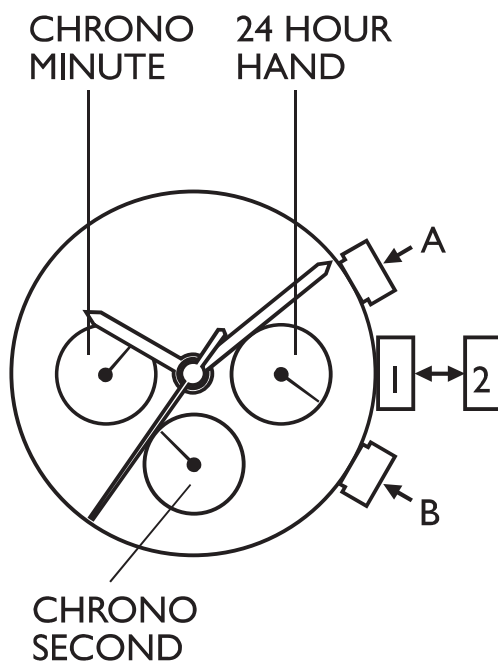
VD 54  
INSTRUCTION MANUAL



SECOND

**TIME SETTING:**

1. Pull crown out to position 2.
2. Turn the crown to set the desired time.
3. Return the crown to its normal position



### **CHRONOGRAPH OPERATION:**

The chronograph can measure up to 1 hour in one second increments. Pusher A starts and stops the chrono operation. Pusher B is for reset.

#### **To measure elapsed or split time:**

1. PRESS pusher A to start timing
2. PRESS pusher B to stop timing. The stopwatch continues to count seconds elapsed but the hands do not move.
3. PRESS pusher B again to resume timing. The hands move quickly to indicate elapsed time and continue counting.

**NOTE:** The hour, minute and second hands on the watch will continue to indicate the correct time while using the stopwatch.

### **24-HOUR SUB-DIAL SETTING:**

The 24-hour hand moves correspondingly with the hour and minute hands. When setting the time be sure to check that the 24-hour hand is set properly.

### **ADJUSTING THE CHRONOGRAPH:**

1. Pull the crown to position 2.
2. Press A to reset the chronograph second hand to zero.
3. Press B to reset the chronograph minute and hour hands.
4. Reset the watch to the current time and return the crown to its normal position.